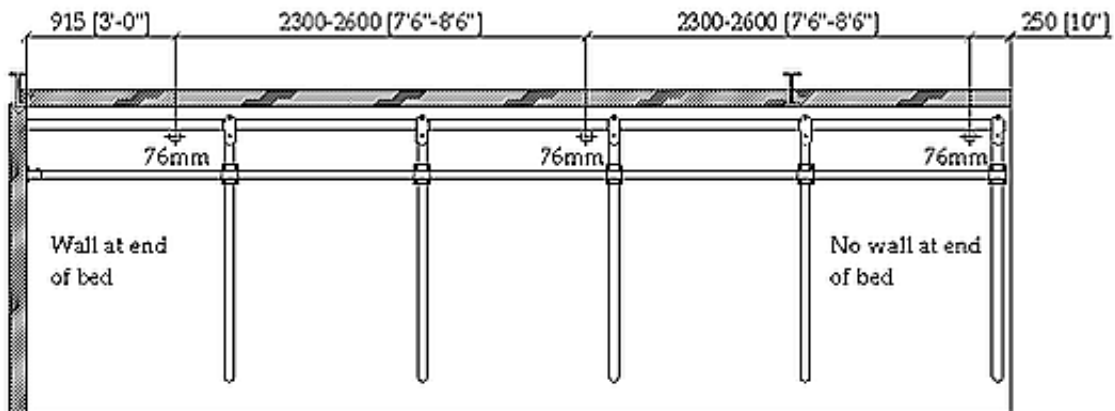
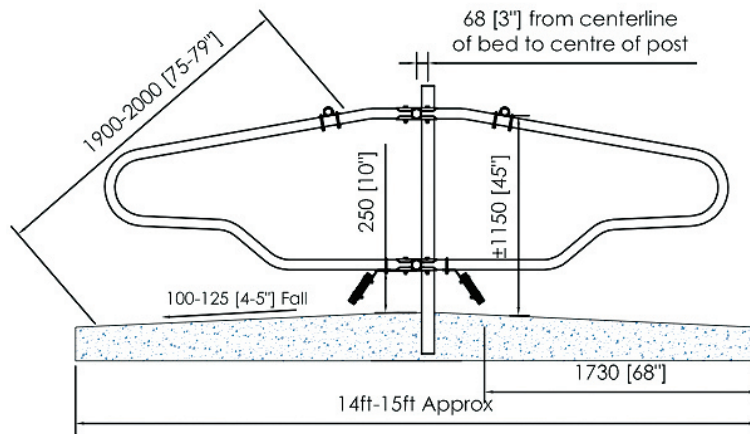
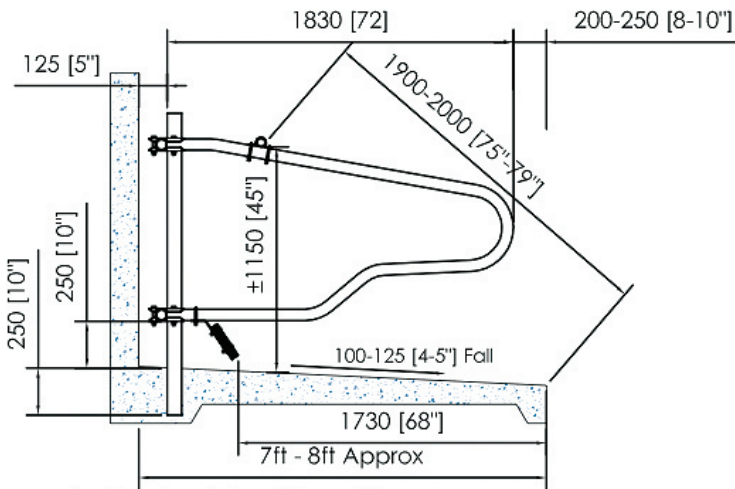


CUBICLE FITTING INSTRUCTIONS



Cantilever Cubicles



Step 1: Posts are set 250mm (10 in) deep. The first post should be positioned no more than 900mm (3ft) from the wall at the end of the bed. Subsequent posts are positioned every 2300mm - 2600mm (7ft6" - 8ft6").

Step 2: Attach top and bottom rails to posts using Post-to-Rail Clamps (A.)

Step 3: Mount cubicles to horizontal rails using single/head-to-head cubicle mounting brackets (B.)

Step 4: Fix the neck rail to each cubicle using a 3 U-Bolt Headrail Clamp (C.)

Step 5: Connect neck rail to walls at bed ends using Headrail end Brackets.

A. Post-to-Rail Clamp



B. Cubicle Mounting Bracket



C. 3 U-Bolt Headrail Clamp

